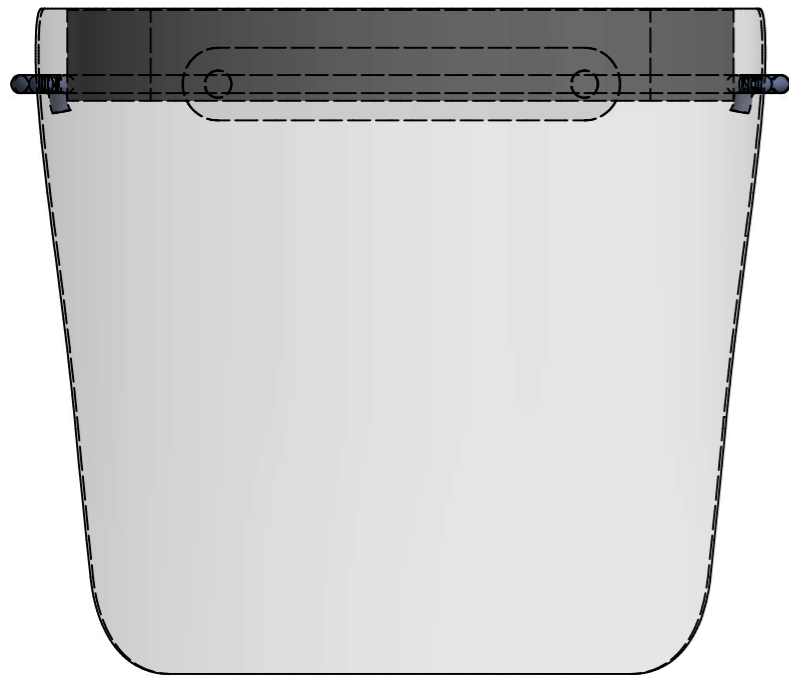
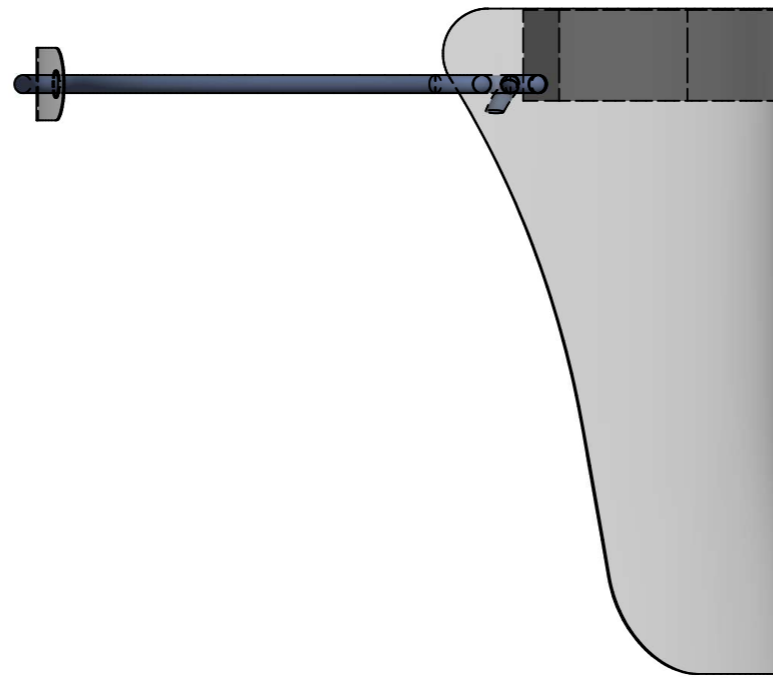


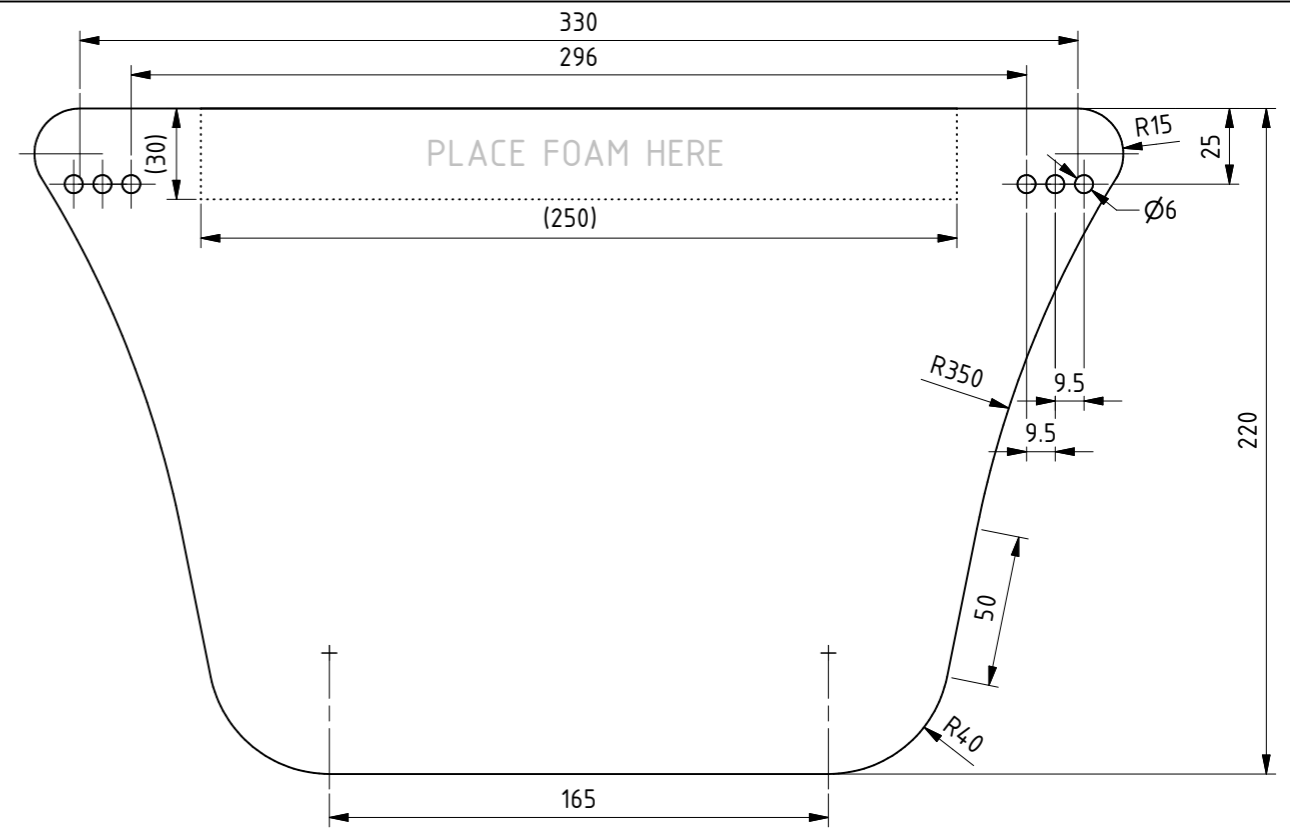
Drawing is property of Daphne Technology and may be used and copied without authorization, the material and information on this drawing is for general information purposes only and may be used at own risk.



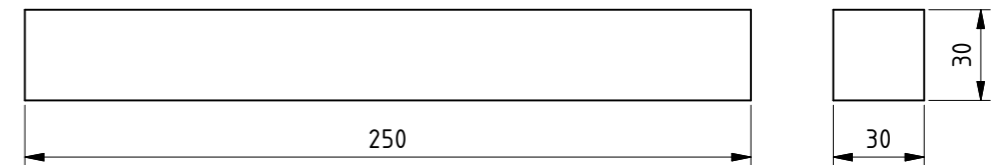
FRONT VIEW ( 1 : 2,5 )



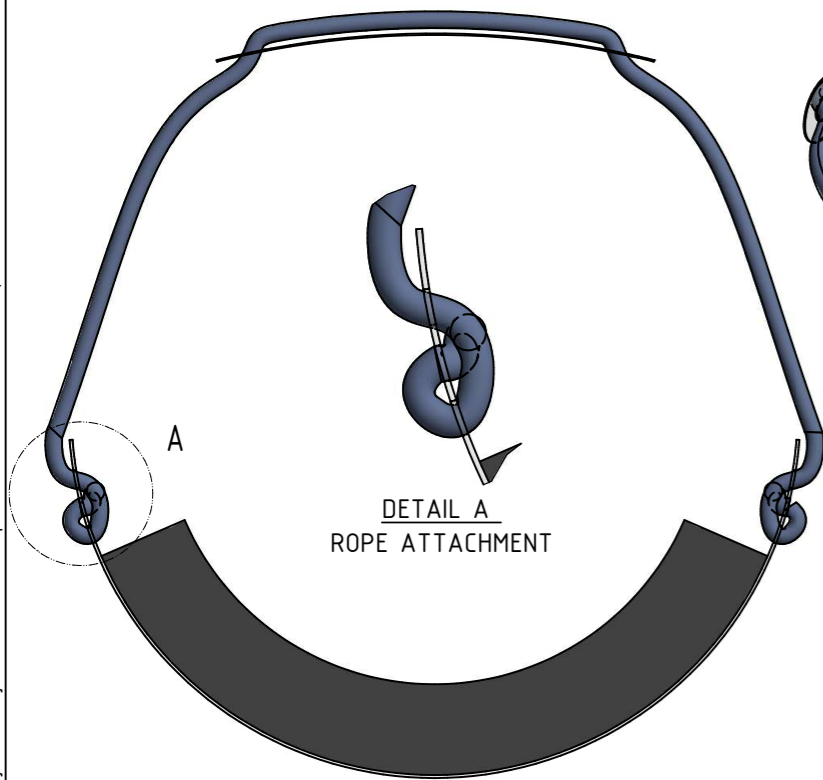
SIDE VIEW ( 1 : 2,5 )



POS.1 VISOR ( 1:2,5 )



POS.2 VISOR FOAM ( 1:2.5 )



TOP VIEW ( 1 : 2,5 )

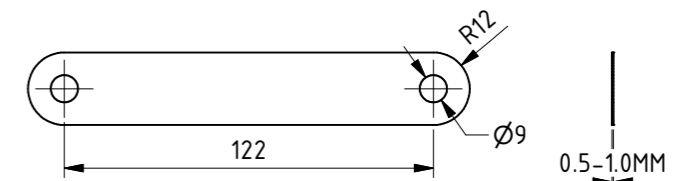
DETAIL A  
ROPE ATTACHMENT



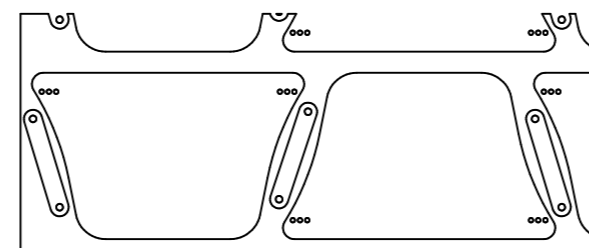
ISO VIEW ( 1 : 2,5 )



POS. 3 ELASTIC ROPE ( 1:2,5 )



POS.4 NECK SUPPORT ( 1:2.5 )



TYPICAL CUTTING PLAN ( 1:10 )

**SUGGESTED MOUNTING PROCEDURE**

1. PLACE VISOR FLAT & REMOVE PROTECTIVE FILM ON INSIDE
2. MOUNT ADHESIVE FOAM BAND IN MIDDLE TOP OF VISOR INSIDE
3. CUT ELASTIC WITH HOT KNIFE TOOL ROPE AND MAKE NECESSARY END TREATMENT BY HAND
4. PLACE NECK SUPPORT ON ROPE, REMOVE FILM AROUND HOLES AND ATTACHED ENDS THROUGH HOLES AS INDICATED IN DETAIL A

**PART LIST**

POS	QTY	DESCRIPTION / NAME	MATERIAL	ADDITIONAL INFO
1	1	PLASTIC VISOR	PET-G OR PC 0.5-1.0MM	LASER CUT OR MILLED
2	1	VISOR FOAM	PE FOAM WITH ADHESIVE TAPE	L=250 30x30
3	1	ELASTIC ROPE	Ø5 NYLON (LATEX OR RUBBER CORE)	CUT WITH HEATED KNIFE
4	1	NECK SUPPORT	PET-G OR PC 0.5-1.0MM	

Dwg Status <b>PRODUCTION</b>		Approved by ANNA FASTGRIND	Date 2020-04-01	Weight 0.045	Checked by WESTERMARK	Design date 2020-04-02	Designed by S.JELASSI	Rev. D
		Last revision B. NEW SHAPE		Date 200330	Dwg Name <b>PROTECTIVE VISOR</b>			
		C. HOLES MOVED		Date 200330	Project No 20-112			
		D. NECK SUPPORT		Date 200402	Dwg/Part Number 2020-1000-01		Sheet 1 / 1	

**PROTECTIVE VISOR**  
-FOR ONE TIME USE-